

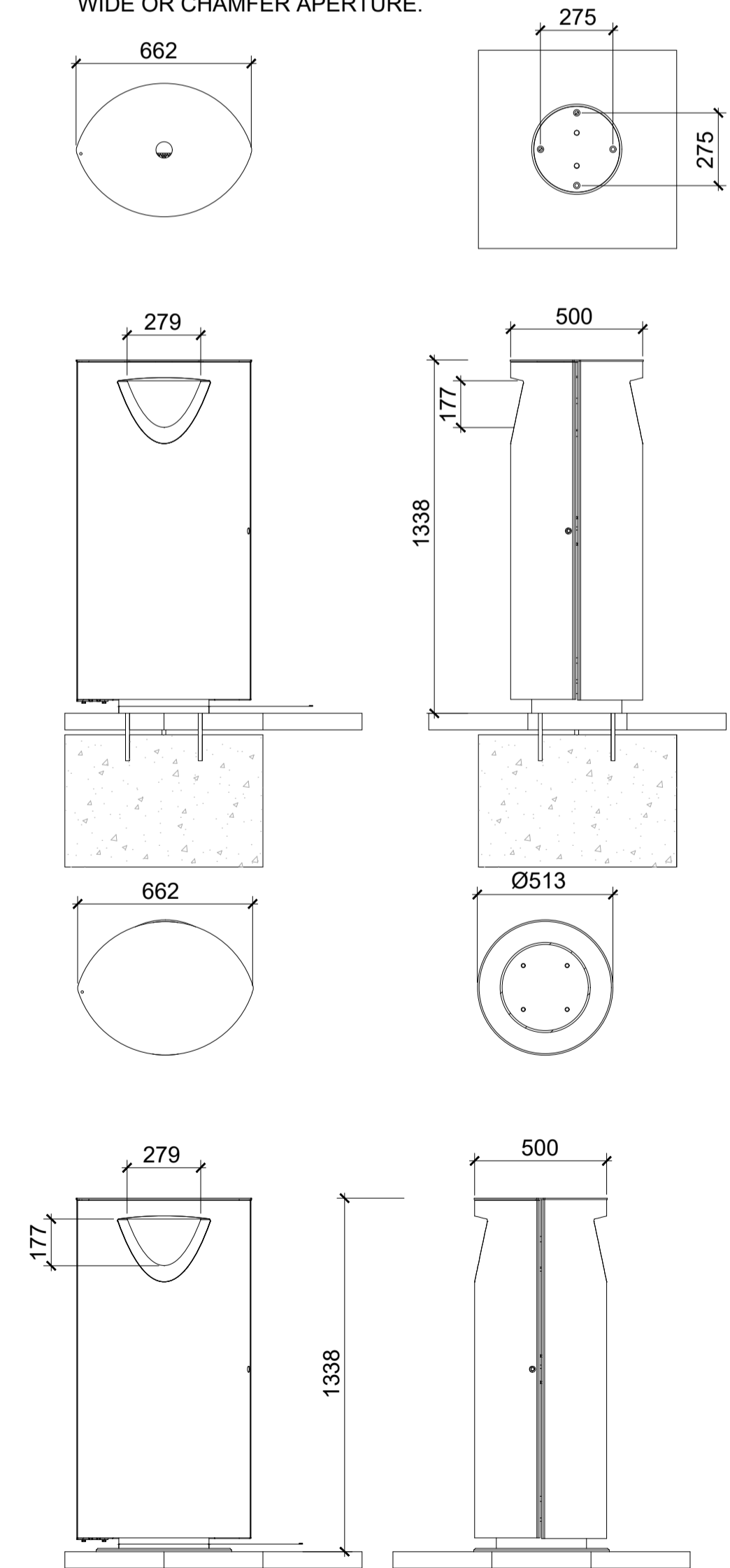


01 BI1: s11.3 OMOS LITTER BIN - PUBLIC REALM

S11.3 LITTER BIN
DESCRIPTION
 316 GRADE STAINLESS STEEL WITH SATIN FINISH OUTER CONSTRUCTION ON LEVEL ADJUSTMENT GALVANIZED BASE. OMOS PATENTED ASHTRAY. FRONT OPENING WITH CONCEALED STAINLESS STEEL HINGE AND SLAM LATCH. 90L LINER.

DIMENSIONS
 HEIGHT 1070MM, WIDTH 530MM, DEPTH 400MM.
 CAPACITY 90L.
 WEIGHT 62KG.

OPTIONS
 GALVANIZED OR PLASTIC LINER. CHOICE OF DECAL. WIDE OR CHAMFER APERTURE.

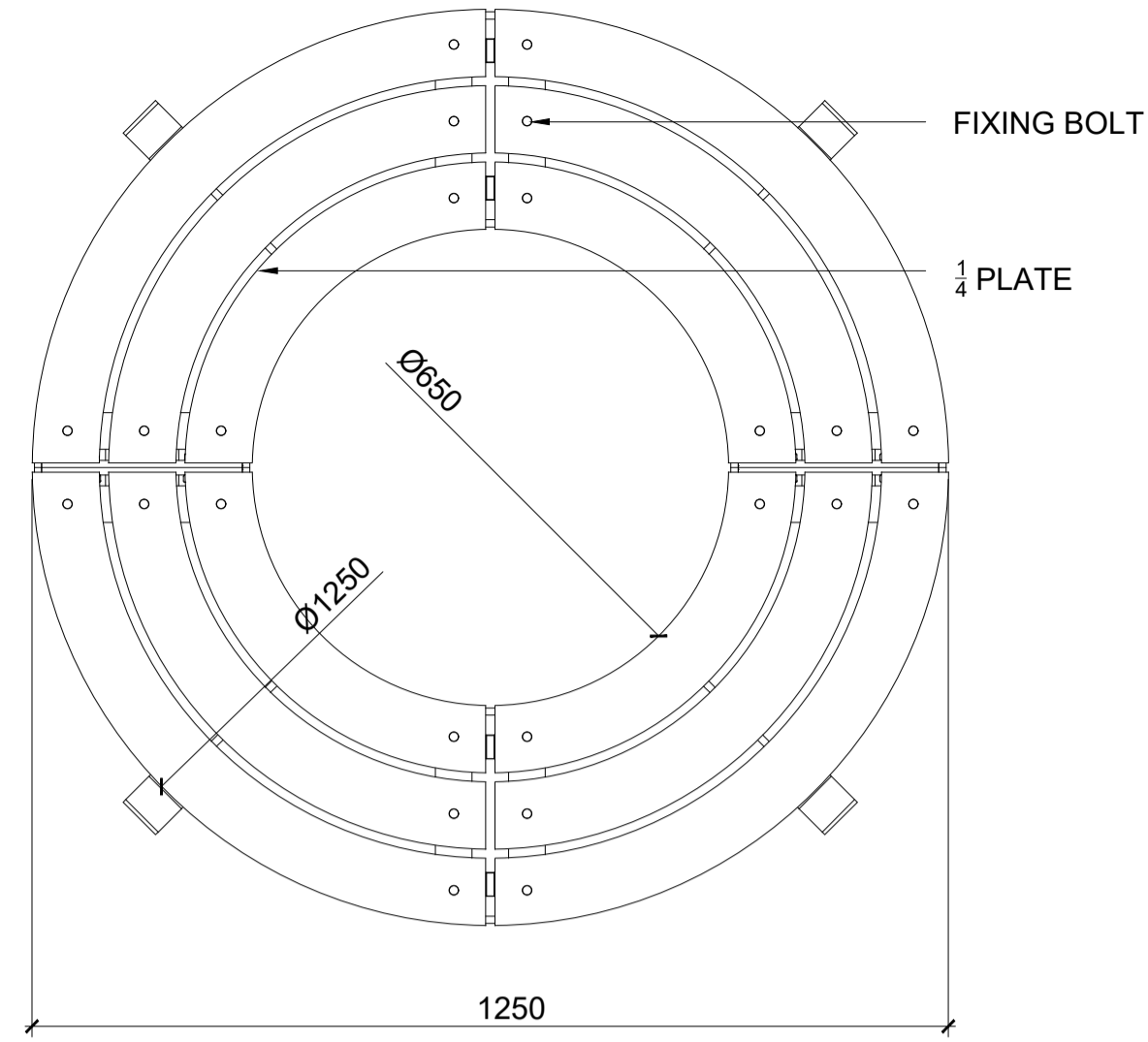
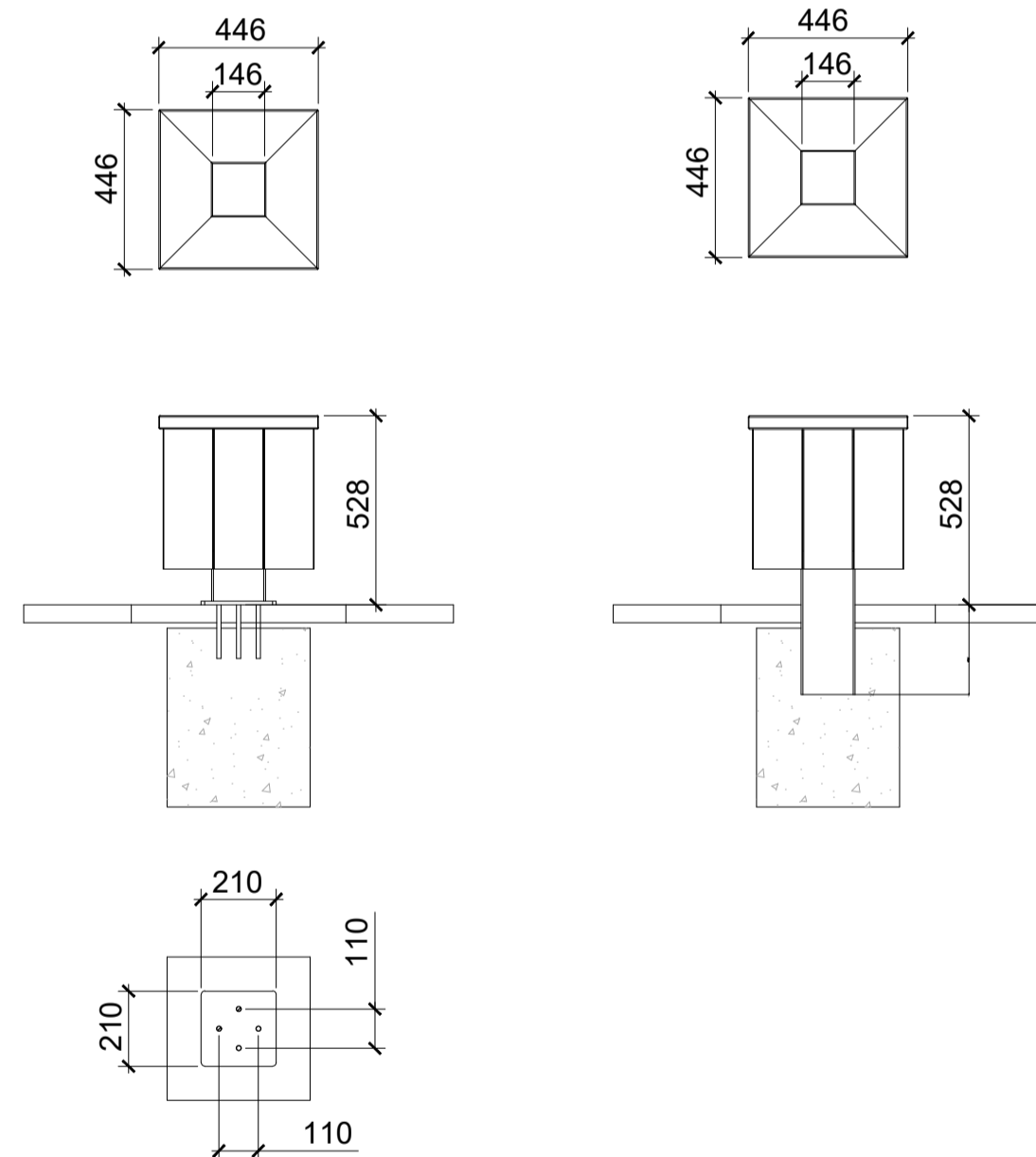


02 LITTER BIN

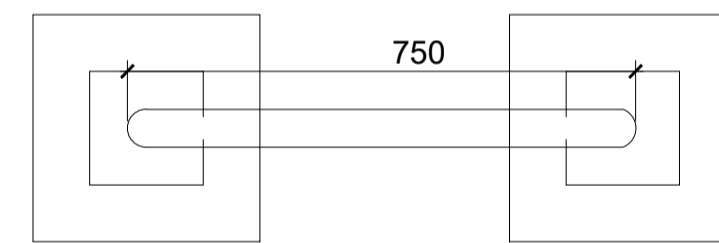
DESCRIPTION
 GALVANIZED STEEL FRAME CLAD WITH WOODEN TIMBER, ELEVATED ON STEEL POST WITH STAINLESS STEEL TOP RIM. GALVANIZED STEEL LINER.

DIMENSIONS
 HEIGHT 528MM, WIDTH 446MM, DEPTH 446MM.
 CAPACITY 50L.
 WEIGHT 43KG.

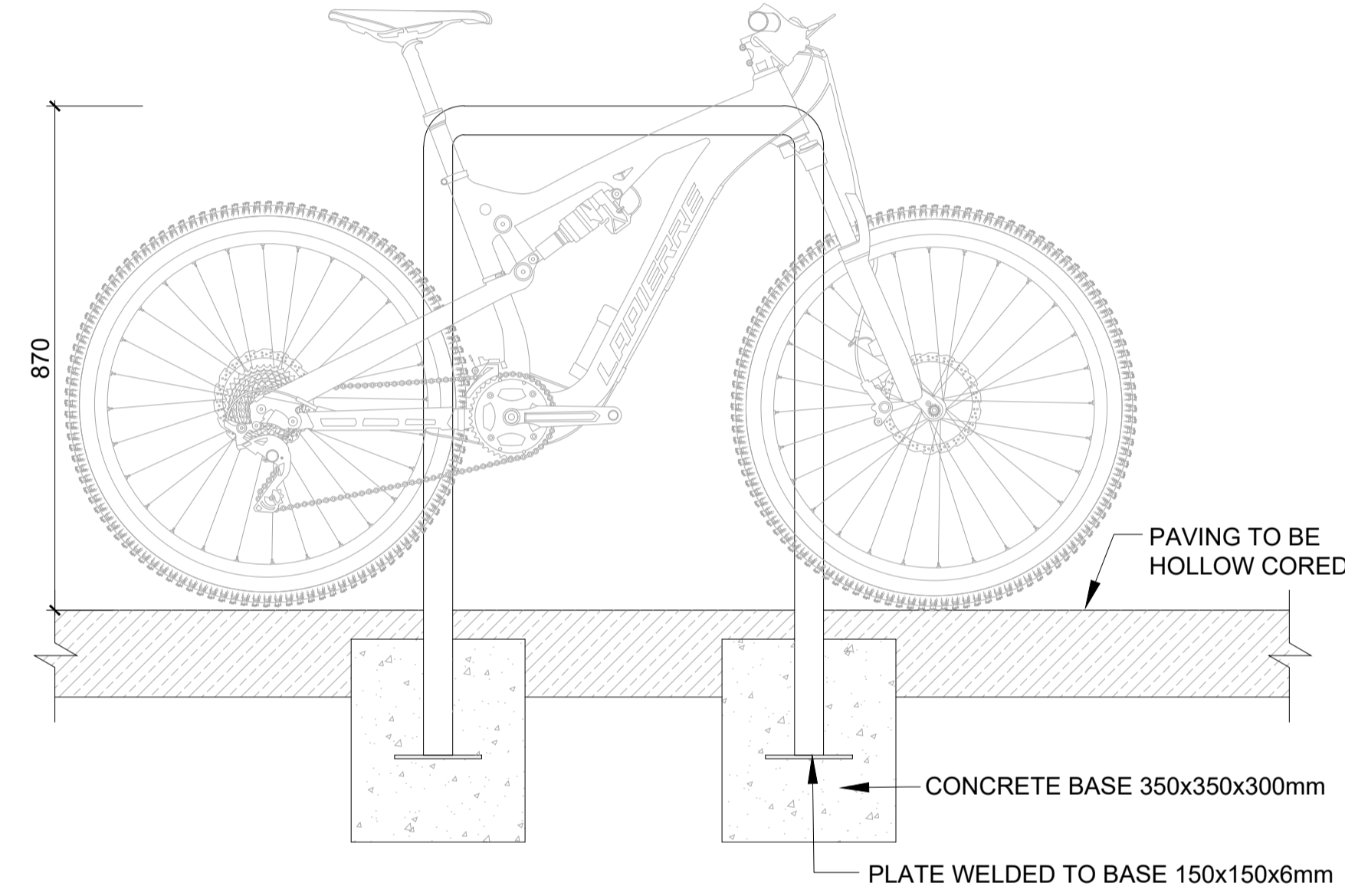
OPTIONS
 ROOT FIXED OR FLANGE FIXED. UNFINISHED TIMBER OR MICRO POROUS STAIN.



03 TYPICAL STREET TREE GRILLE PLAN
 SCALE: 1:10 @A1



04 TYPICAL SHEFFIELD BIKE STAND
 SCALE: 1:10 @A1



NOTE
 ALL DIMENSIONS TO BE CHECKED ON SITE
 NO DIMENSIONS TO BE SCALED FROM THIS DRAWING
 THIS DRAWING IS TO BE READ IN CONJUNCTION WITH RELEVANT CONSULTANTS DRAWINGS
 NO PART OF THIS DOCUMENT MAY BE REPRODUCED OR TRANSMITTED IN ANY FORM OR STORED IN ANY RETRIEVAL SYSTEM OF ANY NATURE WITHOUT THE WRITTEN PERMISSION OF THE LANDSCAPE ARCHITECT AS COPYRIGHT HOLDER EXCEPT AS AGREED FOR USE ON THE PROJECT FOR WHICH THE DOCUMENT WAS ORIGINALLY ISSUED
 FOR DRAWING INDEX, GENERAL NOTES, AND HEALTH AND SAFETY REFER TO DWG L3.001

CLIENT:

CWTC Multi Family ICAV
 Acting on behalf of its sub-fund DBTR DR1 Fund

ARCHITECTS: **o'mahony pike HJL**
O'Donnell+Tuomey ncculloughmulvinarchitects

REFERENCE: THIS DRAWING IS NOT FOR CONSTRUCTION

REVISIONS:

Job No.	15A5A	Drawn By	RM
Dwg No.	L1-902-1	Checked By	JM
Scale	AS SHOWN @A1	Date	July 2021

JOB DESCRIPTION

Site	Holy Cross College, Clontarf Road, Dublin 3 and Drumcondra Road Lower, Drumcondra, Dublin 9
Project	Holy Cross College SHD
Title	DETAILS - SITE FURNITURE 1/2